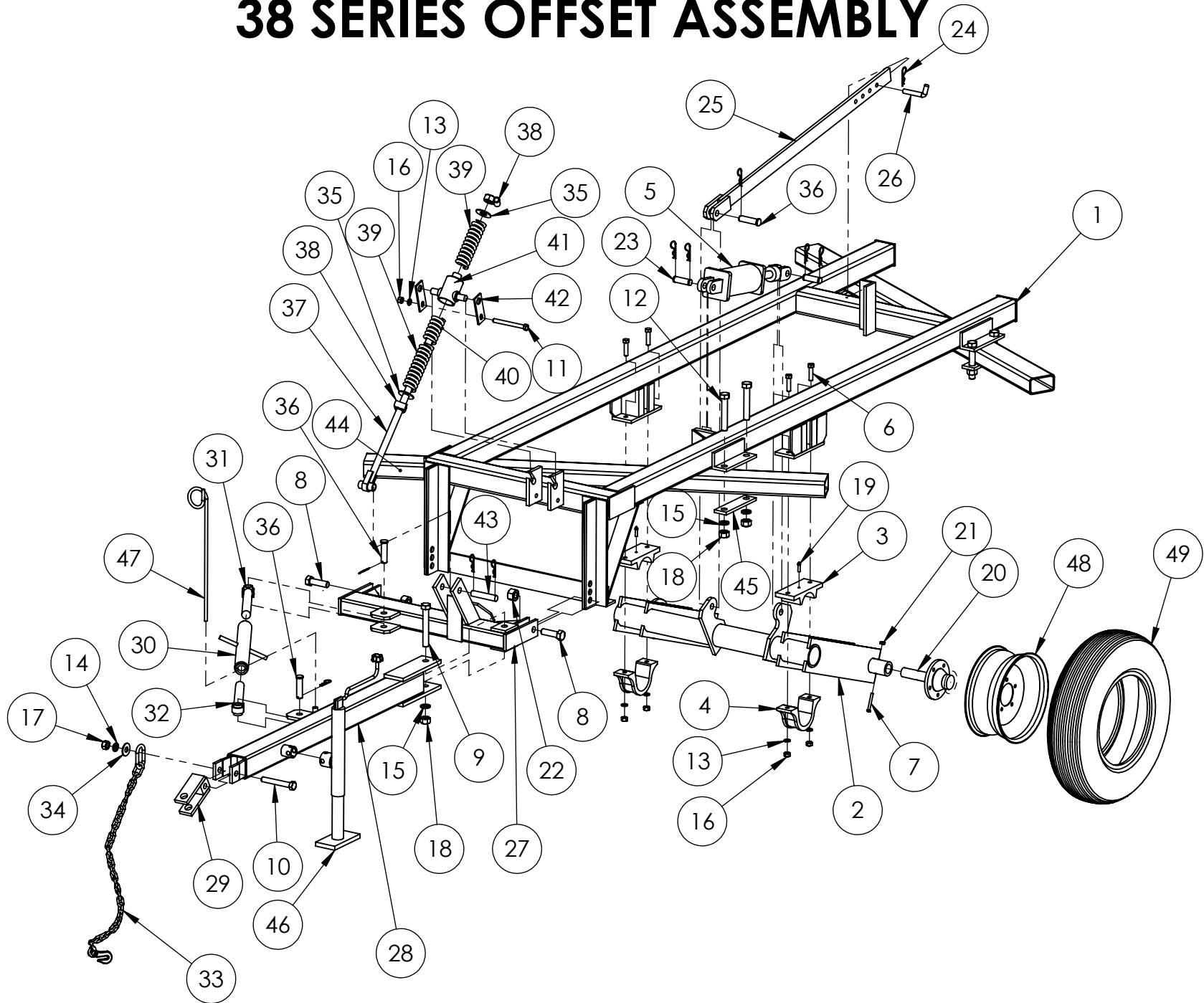


# 38 SERIES OFFSET ASSEMBLY



ITEM NO.	PART NUMBER	DESCRIPTION	QTY.
1	15789	38 OFFSET FRAME WELDMENT	1
2	15790	WHEEL CARRIAGE WELDMENT	1
3	f-58	WHEEL CARRIAGE BEARING TOP	2
4	T-57	WHEEL CARRIAGE BEARING BOTTOM	2
5	10610	CYLINDER	1
6	9192	HEX BOLT, 5/8" X 2 1/2" GR. 5	4
7	T-895	HEX BOLT, 3/8" X 3" GR. 5	2
8	T-780	HEX BOLT, 1" X 3 1/2" GR. 5	2
9	13254	HEX BOLT, 1" X 7" GR. 5	1
10	15567	HEX BOLT, 7/8" X 6" GR. 5	1
11	T-749	HEX BOLT, 5/8" X 6 1/2" GR. 5	1
12	15349	HEX BOLT, 1" X 6" GR. 5	8
13	T-24	LOCK WASHER, 5/8"	5
14	T-21	LOCK WASHER, 7/8"	1
15	T-34	LOCK WASHER, 1"	9
16	T-22	HEX NUT, 5/8"	5
17	T-19	HEX NUT, 7/8"	1
18	T-18A	LOCK NUT, 1"	9
19	12511	EXTENDED GREASE FITTING	2
20	13630	SPINDLE & HUB ASSY.	2
21	12899	FLANGE LOCKNUT, 3/8"	2
22	T-18A	LOCK NUT, 1 1/8"	2
23	15374	CYLINDER PIN	2
24	9979	COTTOR HAIR PIN	10
25	15791	DEPTH CONTROL BAR	1
26	9690	DEPTH CONTROL PIN	1
27	11378	DRAWBAR WELDMENT	1
28	11380	TONGUE WELDMENT	1
29	T-2665	TONGUE CLEVIS WELDMENT	1
30	9876	TURNBUCKLE BARRELL 24"	1
31	11470	LH ADJUSTING SCREW, 12"	1
32	11469	RH ADJUSTING SCREW, 12"	1
33	15186	SAFETY CHAIN	1
34	15569	FLAT WASHER, 7/8"	1
35	T-698	FLAT WASHER, 1 1/8"	2
36	13311	PIN, 1" X 3 1/2"	3
37	11596	LEVELING ROD SCREW, 31"	1
38	T-699	WING NUT	2
39	T-509	ADJUSTING SPRING 8 1/2"	2
40	T-511	ADJUSTING SPRING 4 1/2"	1
41	T-510	SPRING HOUSING	1
42	9006	RETAINER STRAP	2
43	T-934	PIN, 1" X 5"	1
44		GANG BEAMSEE CHART	2
45	15792	GANG STRAP	4
46	T-933	TONGUE JACK	1
47	T-465	HOSE HOLDER	1
48	T-612	RIM	1
49	95L156T	TIRE	1